

P-L

Hydrostatic head level transmitter

825B091F

Features

Power supply:	10÷36Vdc (2-wires)
Measuring range:	0÷10bar (0÷100m)
Output:	4÷20mA
Overload capacity:	1.5 volte il F.S
Max. accuracy :	±0.1%FS
Typical long-term stability:	> ±0.1%FS for year
Operation temperature:	-20° ÷ +70°C
Wetted part:	IP68
P-LC, P-LR mechanical protection	IP65



P-LC1

Hydrostatic head level transmitter

- 2-wired 4÷20mA transmitter
- Cable type and Rigid tube type
- Accuracy: on request 0,5% , 0,2% , 0,1% FS

General

P-L Series Universal Static Level Transmitters adopt advanced dry-type ceramic sensors. Their various constructions, materials and transmitter types contribute greatly to the good adaptability.

Stability: high sensing ability and long-term stability.

Good Reliability: without any mechanical driving elements or mechanical abrasion or malfunction.

Excellent Antijamming Performance, water proof; dust proof; explosion proof; corrosion proof and anti-acid.

Wide Range of Applicability wide range of constructions, process connections, and materials, suitable for various circumstance. Convenient Installation and Reliable Operation, its multi installation modes are optional for user's installation and operation.



applied solution for the application

2. P - LC / LC1

2.1. Power supply and output signals:

P-LC series pressure transmitters are powered by 10÷36 Vdc, and as for 2-wired transmitters with output of 4÷20mA,

2.2. Technical specifications

Measuring range: da 10kPa (0,1bar) a 1MPa (10bar)

Accuracy: 0,5% FS 0.2% FS ; 0,1% FS

Typical long-term specification: < ±0.1%FS / Year

Relative humidity: 0÷95%RH

Atmosphere pressure : 86 ÷ 108KPa

Operation temperature:

Medium : -20°÷ 60°C

Environment : -20°÷ 70°C

Storage: -40°÷ 80°C

Sensor material:

Housing : Stainless steel AISI 321 (1Cr18Ni9Ti)

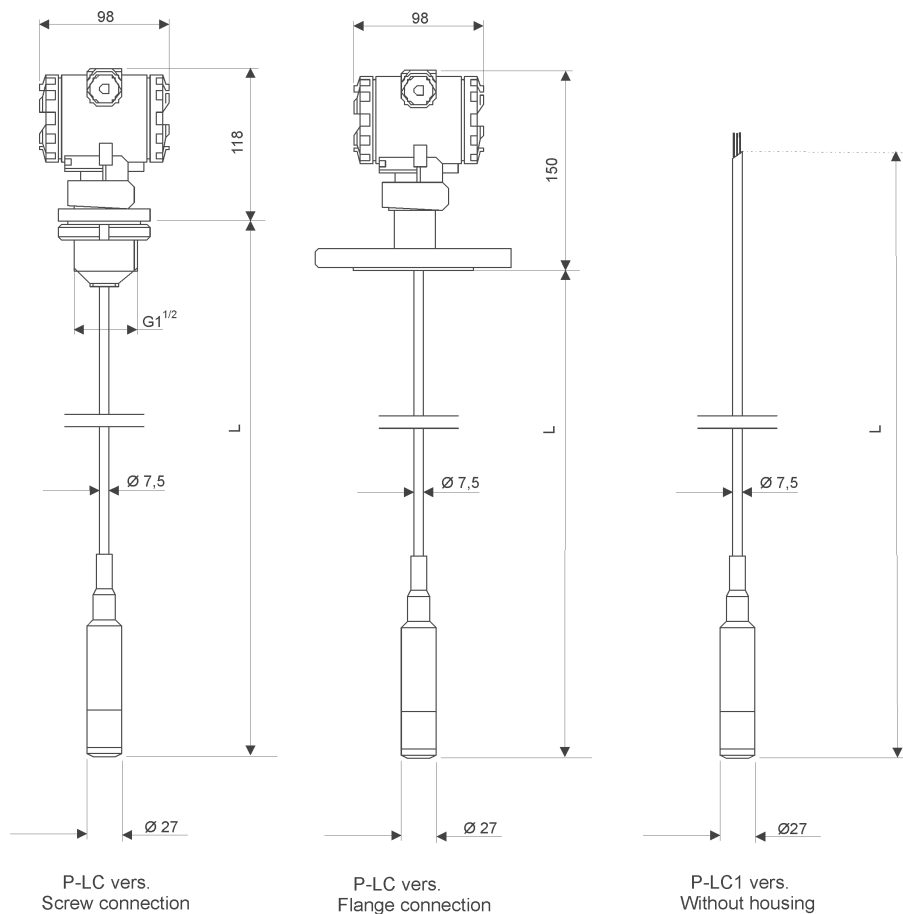
Diaphragm: AISI316L

Sealed material: Fluorin Rubber: FPM (Viton) , Butyl Rubber: IIR , Polyvinyl-4F: PTFE (Teflon) - For ceramic capacitance only, Fully Sealed Welding

Cable material: Polyvinyl chloride

Process connection: Screw G 1 1/2" ; Flange ; with cable (WPLC1 vers.)

2.2. Mechanical dimensions



3. P - LR

3.1. Power supply and output signals:

P-LC series pressure transmitters are powered by 10÷36 Vdc, and as for 2-wired transmitters with output of 4÷20mA,

3.2. Technical specifications

Measuring range: da 10kPa (0,1bar) a 1MPa (10bar)

Accuracy: 0,5% FS 0.2% FS ; 0,1% FS

Typical long-term specification: < $\pm 0.1\%$ FS / Year

Relative humidity: 0÷95%RH

Atmosphere pressure : 86 ÷ 108KPa

Operation temperature:

Medium : -20° ÷ 60°C

Environment : -20° ÷ 70°C

Storage: -40° ÷ 80°C

Sensor material:

Housing : Stainless steel AISI 321 (1Cr18Ni9Ti)

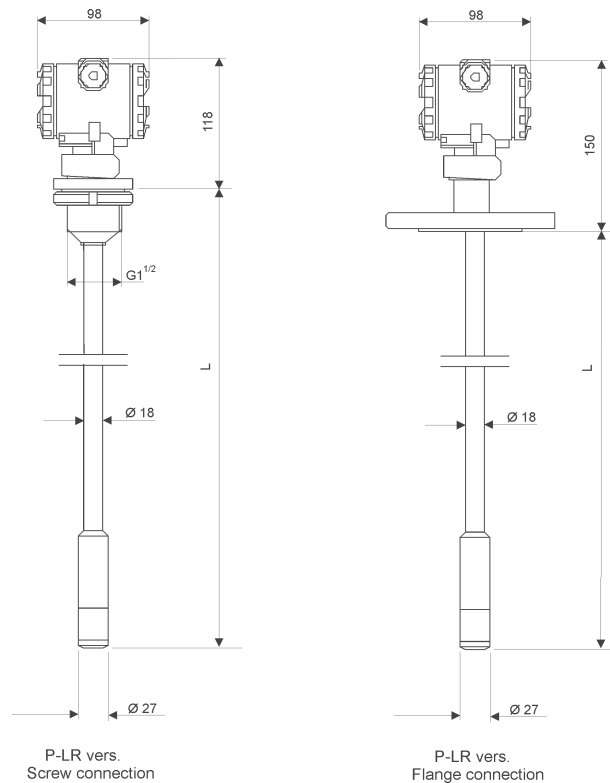
Diaphragm: AISI316L

Sealed material: Fluorin Rubber: FPM (Viton) , Butyl Rubber: IIR , Polyvinyl-4F: PTFE (Teflon) - For ceramic capacitance only, Fully Sealed Welding

Rigid tube material: Stainless steel AISI321 (1Cr18Ni9Ti)

Process connection: Screw G 1 1/2" ; Flange ;

3.2. Mechanical dimensions



4.1. Installation and Operation

P-LC series pressure transmitters can be installed on pressure joint of pipeline. A cut-off valve should be added between pressure joint and pipeline to make it easier for installation and debugging. The impact on "Zero" from the installation position can be well adjusted and calibrated.

4.2. Adjustment & Calibration for "Zero" and Full-scale Output

It is possible to adjust and/or calibrate the P-L working range by operating on the trimmers. Type P-LC1 because OP68 cannot be adjusted on the span and zero set-up

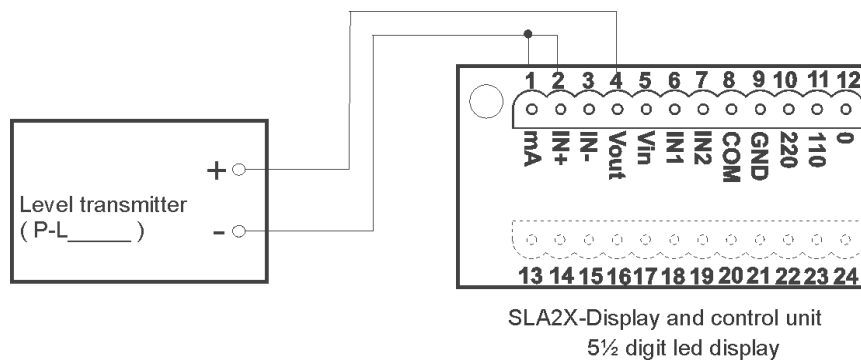
Standard ranges table

Gauge	Measuring range	Adjustment range	Overload		Capacitance	Si-diffused	High&Low temperature
			capacitance	Si-diff/H.T.			
G03	0÷10KPa	4÷20KPa	0.6MPa	15KPa	Y	N	N
G04	0÷16KPa	6.4÷20KPa	0.6MPa	25KPa	Y	Y	Y
G05	0÷20KPa	8÷35KPa	0.6MPa	30KPa	Y	Y	Y
G06	0÷25KPa	10÷35KPa	1.0MPa	40KPa	Y	Y	Y
G07	0÷30KPa	12÷35KPa	1.0MPa	45KPa	Y	Y	Y
G08	0÷35KPa	14÷35KPa	1.0MPa	55KPa	Y	Y	Y
G09	0÷40KPa	16÷70KPa	1.0MPa	60KPa	Y	Y	Y
G10	0÷60KPa	24÷70KPa	1.0MPa	90KPa	Y	Y	Y
G11	0÷100KPa	40÷100KPa	1.0MPa	150KPa	Y	Y	Y
G12	0÷160KPa	64÷200KPa	1.8MPa	250KPa	Y	Y	Y
G13	0÷200KPa	80÷200KPa	1.8MPa	300KPa	Y	Y	Y
G14	0÷250KPa	100÷350KPa	2.5MPa	400KPa	Y	Y	Y
G15	0÷400KPa	160÷700KPa	2.5MPa	600KPa	Y	Y	Y
G16	0÷600KPa	240÷700KPa	4.0MPa	1.0MPa	Y	Y	Y
G17	0÷1.0MPa	0.4÷1.0MPa	4.0MPa	1.5MPa	Y	Y	Y

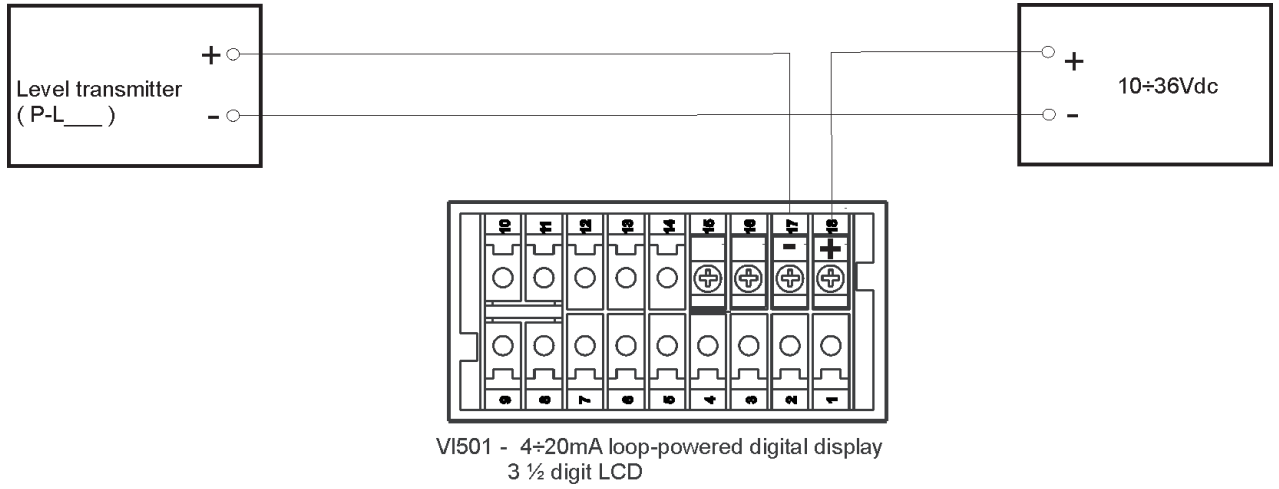
Note: "N" Non Disponibile, "Y" Disponibile.

4.3. Electric connections

4.3.1.) System with display and control



4.3.2.) Loop powered display two wires



ORDER CODE

P-L

VERSION

- C- Cable type (5m standard I.); with head connection
- C1 Suspension type (5m standard cable I.); without head connection
- R- Rod type

CERTIFICATION

- S None

PROCESS CONNECTION MATERIAL

- 1 Stainless Steel 316L
- 9 Special

PROCESS CONNECTION

- T Male Thread G 1" ½
- Y Special

MEMBRANE TYPE

- A- Si-diffused sensor
- A2 Ultra-stable
- C- Ceramic Capacitance

SEALED MATERIAL

- 1F Fluorin Rubber: FPM (Viton)
- 2F Butyl Rubber: IIR
- 3F Polyvinyl-4F: PTFE (Teflon) - For ceramic capacitance only
- 4F Fully Sealed Welding

OUTPUT

- 2 4+20mA 2 -wires
- 9 Special

DISPLAY

- A None
- C 0÷100% Digital LCD
- D 0÷100% Digital LCD
- Y Special

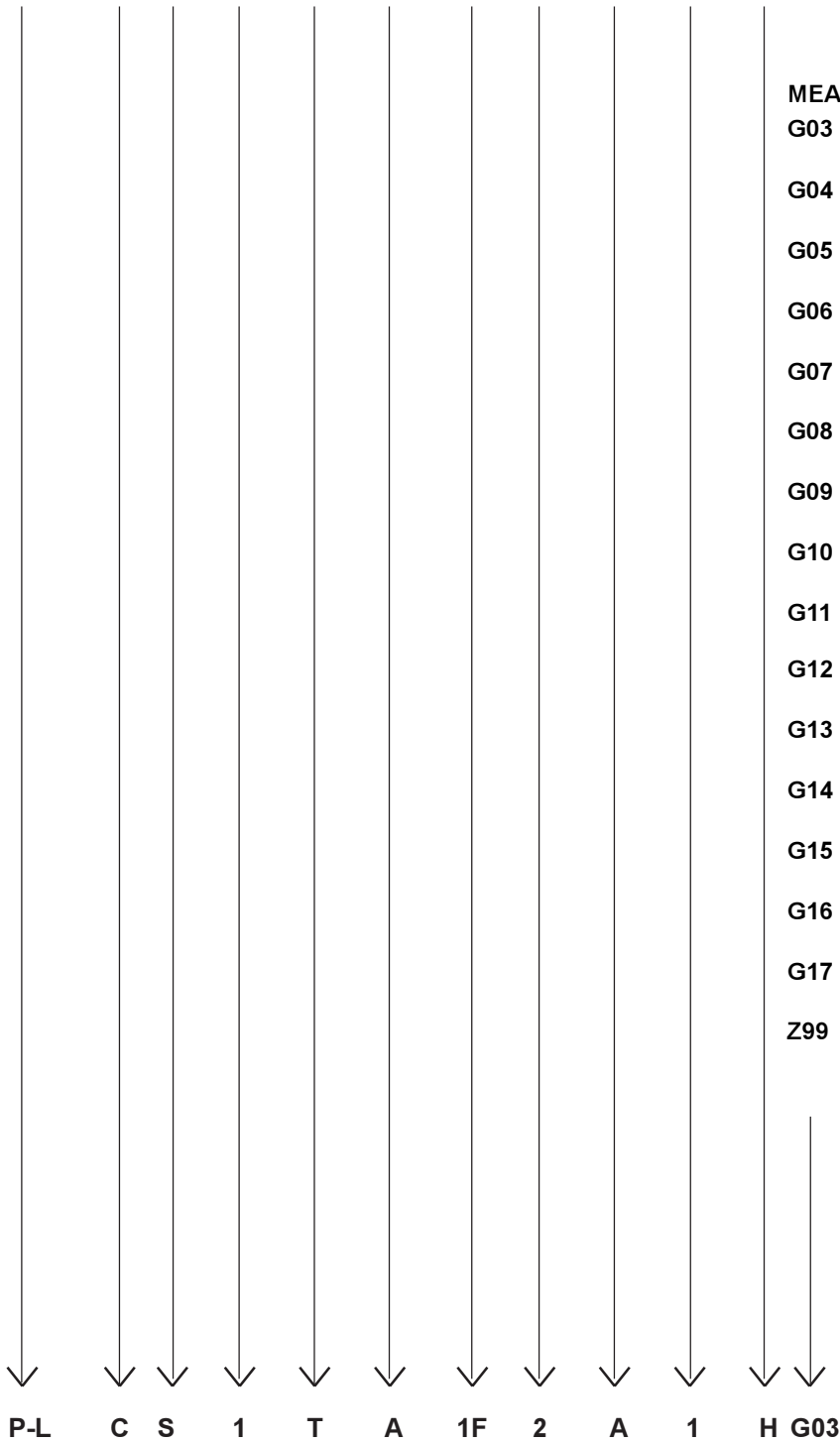
ACCURACY

- 1 ±0,1%
- 2 ±0,2%
- 5 ±0,5%
- 9 Special

BOB-WEIGHT (only for cable type)

- H None





MEASURE RANGE

- G03** 0 ÷ 10KPa (0 ÷ 0,1bar / 0 ÷ 1m H²O)
gauge p.
- G04** 0 ÷ 16KPa (0 ÷ 0,16bar / 0 ÷ 1,6m H²O)
gauge p.
- G05** 0 ÷ 20KPa (0 ÷ 0,2bar / 0 ÷ 2m H²O)
gauge p.
- G06** 0 ÷ 25KPa (0 ÷ 0,25bar / 0 ÷ 2,5m H²O)
gauge p.
- G07** 0 ÷ 30KPa (0 ÷ 0,3bar / 0 ÷ 3m H²O)
gauge p.
- G08** 0 ÷ 35KPa (0 ÷ 0,35bar / 0 ÷ 3,5m H²O)
gauge p.
- G09** 0 ÷ 40KPa (0 ÷ 0,4bar / 0 ÷ 4m H²O)
gauge p.
- G10** 0 ÷ 60KPa (0 ÷ 0,6bar / 0 ÷ 6m H²O)
gauge p.
- G11** 0 ÷ 100KPa (0 ÷ 1bar / 0 ÷ 10m H²O)
relativa
- G12** 0 ÷ 160KPa (0 ÷ 1,6bar / 0 ÷ 16m H²O)
gauge p.
- G13** 0 ÷ 200KPa (0 ÷ 2bar / 0 ÷ 20m H²O)
gauge p.
- G14** 0 ÷ 250KPa (0 ÷ 2,5bar / 0 ÷ 25m H²O)
gauge p.
- G15** 0 ÷ 400KPa (0 ÷ 4bar / 0 ÷ 40m H²O)
gauge p.
- G16** 0 ÷ 600KPa (0 ÷ 6bar / 0 ÷ 60m H²O)
gauge p.
- G17** 0 ÷ 1,0MPa (0 ÷ 10bar / 0 ÷ 100m H²O)
gauge p.
- Z99** For pressure range <20KPa (0,2bar / 0 ÷
+ 2m H²O) o >20MPa (200bar / 0 ÷ 2000m
H²O)

(Example of order code)



P-L Warranty

Products supplied by SGM LEKTRA are guaranteed for a period of 12 (twelve) months from delivery date according to the conditions specified in our sale conditions document. SGM LEKTRA can choose to repair or replace the Product. If the Product is repaired it will maintain the original term of guarantee, whereas if the Product is replaced it will have 12 (twelve) months of guarantee. The warranty will be null if the Client modifies, repair or uses the Products for other purposes than the normal conditions foreseen by instructions or Contract. In no circumstances shall SGM LEKTRA be liable for direct, indirect or consequential or other loss or damage whether caused by negligence on the part of the company or its employees or otherwise howsoever arising out of defective goods.

P-L Factory test certificate

In conformity to the company and check procedure I certify that the equipment:

P-L part nb.

is conform to the technical requirements on Technical Data and it is made in conformity to the SGM-LEKTRA procedure

Quality Control Manager:

Production and check date:



SGM LEKTRA s.r.l.
Via Papa Giovanni XXIII, 49
20090 Rodano (Milano)
tel. ++39 0295328257 r.a.
fax ++39 0295328321
e-mail: info@sgm-lektra.com
web: www.sgm-lektra.com